

USER'S MANUAL
BEDIENUNGSANLEITUNG
MANUEL D'UTILISATION
MANUAL DE USUARIO
INSTRUKCJA OBSŁUGI
MANUALE D'USO

LDsystems 



DQOR[®] SERIES

2-WAY PASSIVE INDOOR/OUTDOOR INSTALLATION LOUDSPEAKER

LDDQOR3(B/W), LDDQOR5(B/W), LDDQOR8(B/W)

LDDQOR3T(B/W), LDDQOR5T(B/W), LDDQOR8T(B/W)

CONTENTS / INHALTSVERZEICHNIS / SOMMAIRE / CONTENIDO / SPIS TREŚCI / SOMMARIO

ENGLISH

SAFETY INFORMATION	3
INTRODUCTION	5
FEATURES - MODELS WITH TRANSFORMER	5
FEATURES - LOW-IMPEDANCE MODELS	5
MEASUREMENTS (MM)	6
WALL MOUNTING PLATE	7
WALL MOUNTING	7
MODELS WITH TRANSFORMER	9
OPTIONAL ACCESSORY	9
TECHNICAL DATA	10
MANUFACTURER'S DECLARATIONS	13

DEUTSCH

SICHERHEITSHINWEISE	14
EINFÜHRUNG	16
EIGENSCHAFTEN - MODELLE MIT TRANSFORMATOR	16
EIGENSCHAFTEN - NIEDEROHMIGE MODELLE	16
ABMESSUNGEN (MM)	17
WANDMONTAGEPLATTE	18
WANDMONTAGE	18
MODELLE MIT TRANSFORMATOR	20
OPTIONALES ZUBEHÖR	20
TECHNISCHE DATEN	21
HERSTELLERERKLÄRUNGEN	24

FRANÇAIS

INFORMATIONS DE SÉCURITÉ	25
INTRODUCTION	27
CARACTÉRISTIQUES : MODÈLES AVEC TRANSFORMATEUR	27
CARACTÉRISTIQUES : MODÈLES À BASSE IMPÉDANCE	27
DIMENSIONS (MM)	28
SUPPORT DE MONTAGE MURAL	29
MONTAGE MURAL	29
MODÈLES AVEC TRANSFORMATEUR	31
ACCESSOIRES EN OPTION	31
CARACTÉRISTIQUES TECHNIQUES	32
DÉCLARATIONS DU FABRICANT	35

ESPAÑOL

INFORMACIÓN DE SEGURIDAD	36
INTRODUCCIÓN	38
CARACTERÍSTICAS: MODELOS CON TRANSFORMADOR	38
CARACTERÍSTICAS: MODELOS DE BAJA IMPEDANCIA	38
MEDIDAS (MM)	39
PLACA DE MONTAJE EN PARED	40
MONTAJE EN PARED	40
MODELOS CON TRANSFORMADOR	42
ACCESORIOS OPCIONALES	42
DATOS TÉCNICOS	43
DECLARACIONES DEL FABRICANTE	46

POLSKI

INFORMACJE DOTYCZĄCE BEZPIECZEŃSTWA	47
WSTĘP	49
WŁAŚCIWOŚCI - MODELE Z TRANSFORMATOREM	49
WŁAŚCIWOŚCI - MODELE O NISKIEJ IMPEDANCJI	49
WYMIARY (MM)	50
UCHWYT ŚCIENNY	51
MONTAŻ NAŚCIENNY	51
MODELE Z TRANSFORMATOREM	53
AKCESORIA OPCJONALNE	53
DANE TECHNICZNE	54
OŚWIADCZENIA PRODUCENTA	57

ITALIANO

INFORMAZIONI SULLA SICUREZZA	58
INTRODUZIONE	60
CARATTERISTICHE: MODELLI CON TRASFORMATORE	60
CARATTERISTICHE: MODELLI A BASSA IMPEDENZA	60
MISURE (MM)	61
PIASTRA DI MONTAGGIO A PARETE	62
MONTAGGIO A PARETE	62
MODELLI CON TRASFORMATORE	64
ACCESSORIO OPZIONALE	64
DATI TECNICI	65
DICHIARAZIONI DEL PRODUTTORE	68

YOU'VE MADE THE RIGHT CHOICE!

We have designed this product to operate reliably over many years. LD Systems stands for this with its name and many years of experience as a manufacturer of high-quality audio products. Please read this User's Manual carefully, so that you can begin making optimum use of your LD Systems product quickly.

You can find more information about **LD-SYSTEMS** at our Internet site WWW.LD-SYSTEMS.COM

SAFETY INFORMATION

1. Please read these instructions carefully.
2. Keep all information and instructions in a safe place.
3. Follow the instructions.
4. Observe all safety warnings. Never remove safety warnings or other information from the equipment.
5. Use the equipment only in the intended manner and for the intended purpose.
6. Use only sufficiently stable and compatible stands and/or mounts (for fixed installations). Make certain that wall mounts are properly installed and secured. Make certain that the equipment is installed securely and cannot fall down.
7. During installation, observe the applicable safety regulations for your country.
8. Never install and operate the equipment near radiators, heat registers, ovens or other sources of heat. Make certain that the equipment is always installed so that it is cooled sufficiently and cannot overheat.
9. Never place sources of ignition, e.g., burning candles, on the equipment.
10. Ventilation slits must not be blocked.
11. Keep a minimum distance of 20 cm around and above the device.
12. Do not use this equipment in the immediate vicinity of water (does not apply to special outdoor equipment - in this case, observe the special instructions noted below. Do not expose this equipment to flammable materials, fluids or gases. Avoid direct sunlight!
13. Make certain that dripping or splashed water cannot enter the equipment. Do not place containers filled with liquids, such as vases or drinking vessels, on the equipment.
14. Make certain that objects cannot fall into the device.
15. Use this equipment only with the accessories recommended and intended by the manufacturer.
16. Do not open or modify this equipment.
17. After connecting the equipment, check all cables in order to prevent damage or accidents, e.g., due to tripping hazards.
18. During transport, make certain that the equipment cannot fall down and possibly cause property damage and personal injuries.
19. If your equipment is no longer functioning properly, if fluids or objects have gotten inside the equipment or if it has been damaged in another way, switch it off immediately and unplug it from the mains outlet (if it is a powered device). This equipment may only be repaired by authorized, qualified personnel.
20. Clean the equipment using a dry cloth.
21. Comply with all applicable disposal laws in your country. During disposal of packaging, please separate plastic and paper/cardboard.
22. Plastic bags must be kept out of reach of children.
23. Please note that changes or modifications not expressly approved by the party responsible for compliance could void the user's authority to operate the equipment.

FOR EQUIPMENT THAT CONNECTS TO THE POWER MAINS

24. CAUTION: If the power cord of the device is equipped with an earthing contact, then it must be connected to an outlet with a protective ground. Never deactivate the protective ground of a power cord.
25. If the equipment has been exposed to strong fluctuations in temperature (for example, after transport), do not switch it on immediately. Moisture and condensation could damage the equipment. Do not switch on the equipment until it has reached room temperature.
26. Before connecting the equipment to the power outlet, first verify that the mains voltage and frequency match the values specified on the equipment. If the equipment has a voltage selection switch, connect the equipment to the power outlet only if the equipment values and the mains power values match. If the included power cord or power adapter does not fit in your wall outlet, contact your electrician.
27. Do not step on the power cord. Make certain that the power cable does not become kinked, especially at the mains outlet and/or power adapter and the equipment connector.
28. When connecting the equipment, make certain that the power cord or power adapter is always freely accessible. Always disconnect the equipment from the power supply if the equipment is not in use or if you want to clean the equipment. Always unplug the power cord and power adapter from the power outlet at the plug or adapter and not by pulling on the cord. Never touch the power cord and power adapter with wet hands.
29. Whenever possible, avoid switching the equipment on and off in quick succession because otherwise this can shorten the useful life of the equipment.
30. IMPORTANT INFORMATION: Replace fuses only with fuses of the same type and rating. If a fuse blows repeatedly, please contact an authorised service centre.
31. To disconnect the equipment from the power mains completely, unplug the power cord or power adapter from the power outlet.
32. If your device is equipped with a Volex power connector, the mating Volex equipment connector must be unlocked before it can be removed. However, this also means that the equipment can slide and fall down if the power cable is pulled, which can lead to personal injuries and/or other damage. For this reason, always be careful when laying cables.
33. Unplug the power cord and power adapter from the power outlet if there is a risk of a lightning strike or before extended periods of disuse.
34. The appliance is not to be used by persons (including children) with reduced physical, sensory or mental capabilities, or lack of experience and knowledge.
35. Children must be instructed not to play with the device.
36. If the power cord of the device is damaged, do not use the device. The power cord must be replaced by an adequate cable or assembly from an authorized service center.

**CAUTION:**

To reduce the risk of electric shock, do not remove cover (or back). There are no user serviceable parts inside. Maintenance and repairs should be exclusively carried out by qualified service personnel.



The warning triangle with lightning symbol indicates dangerous uninsulated voltage inside the unit, which may cause an electrical shock.



The warning triangle with exclamation mark indicates important operating and maintenance instructions.



Warning! This symbol indicates a hot surface. Certain parts of the housing can become hot during operation. After use, wait for a cool-down period of at least 10 minutes before handling or transporting the device.



Warning! This device is designed for use below 2000 metres in altitude.



Warning! This product is not intended for use in tropical climates.

CAUTION! HIGH VOLUMES IN AUDIO PRODUCTS!

This device is meant for professional use. Therefore, commercial use of this equipment is subject to the respectively applicable national accident prevention rules and regulations. As a manufacturer, Adam Hall is obligated to notify you formally about the existence of potential health risks. Hearing damage due to high volume and prolonged exposure: When in use, this product is capable of producing high sound-pressure levels (SPL) that can lead to irreversible hearing damage in performers, employees, and audience members. For this reason, avoid prolonged exposure to volumes in excess of 90 dB.

INTRODUCTION

LD Systems presents a new series of installation speakers for indoors and outdoors. The 2-way systems in the new dynamic LD Systems design are available as a low-impedance version (8 Ohm) and as a high-impedance version with a switch for the different transformers taps in 70 V or 100 V applications. The speakers are available in sizes 3", 5.25" and 8". For flexible integration into various indoor and outdoor sound systems, the speakers have an integrated wall bracket and a practical slide and lock mechanism. Thanks to the integrated connection panel, the speakers can also be used in visually demanding environments without visible cable paths. In addition, the 27° tilt and the 45° swivel mechanism enables exact positioning for precise sound coverage. The new outdoor speakers are available in black and white.

FEATURES - MODELS WITH TRANSFORMER

- New dynamic LD Systems speaker design
- 2-way speaker system
- Integrated wall bracket with lock mechanism and speaker connections
- Suitable for use indoors and outdoors
- Aluminum grille for best corrosion protection
- Vertical and horizontal orientation possible, with 27° tilt and 45° pan angle
- BEM-optimized waveguide for constant directivity
- Wide, horizontal beam angle of 120° and vertical beam angle of 80°
- 3-position input select switch (16Ω / 70V / 100V) and switch for the transformer taps
- Very low transformer saturation
- Available in black (RAL 9005 = item number ending B) and white (RAL 9010 = item number ending W)
- Protection type
 - IP65 = DQQR3T (B/W)
 - IP55 = DQQR5T (B/W) & DQQR8T (B/W)

DQQR3T (B/W) - 2-way speaker system with 3" woofer and 1" titanium tweeter with FerroFluid™ cooling.
30W @ 16 Ohm, transformer taps 30W - 6W - 3W - 1.5W

DQQR5T (B/W) - 2-way speaker system with 5.25" woofer and 1" titanium tweeter with FerroFluid™ cooling.
70W @ 16 Ohm, transformer taps 70W - 30W - 15W - 7.5W - 3W

DQQR8T (B/W) - 2-way speaker system with 8" woofer and 1" titanium tweeter with FerroFluid™ cooling.
120W @ 16 Ohm, transformer taps 120 W - 70W - 30W - 15W - 7.5W - 3W

PACKAGING CONTENT

- DQQR3T (B/W) and DQQR5T (B/W) - 1 pair of speakers / DQQR8T (B/W) - 1 speaker
- Hex key for the safety screw of the wall bracket
- User manual

FEATURES - LOW-IMPEDANCE MODELS

- New dynamic LD Systems speaker design
- 2-way speaker system
- Integrated wall bracket with lock mechanism and speaker connections
- Suitable for use indoors and outdoors
- Aluminum grille for best corrosion protection
- Vertical and horizontal orientation possible, with 27° tilt and 45° pan angle
- BEM-optimized waveguide for constant directivity
- Wide, horizontal beam angle of 120° and vertical beam angle of 80°
- Available in black (RAL 9005 = item number ending B) and white (RAL 9010 = item number ending W)
- Protection type
 - IP65 = DQQR3 (B/W)
 - IP55 = DQQR5 (B/W) & DQQR8 (B/W)

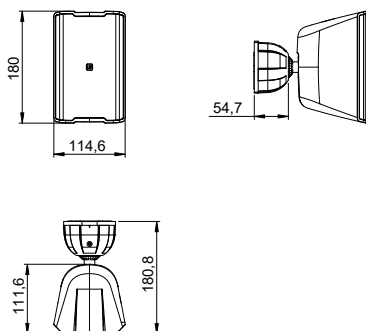
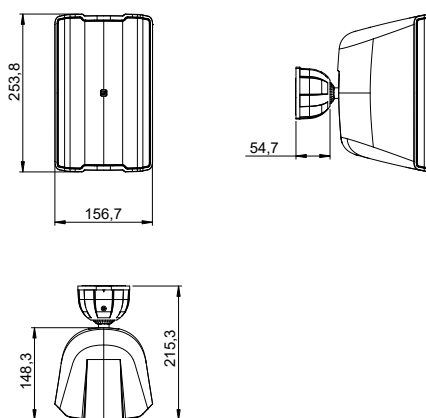
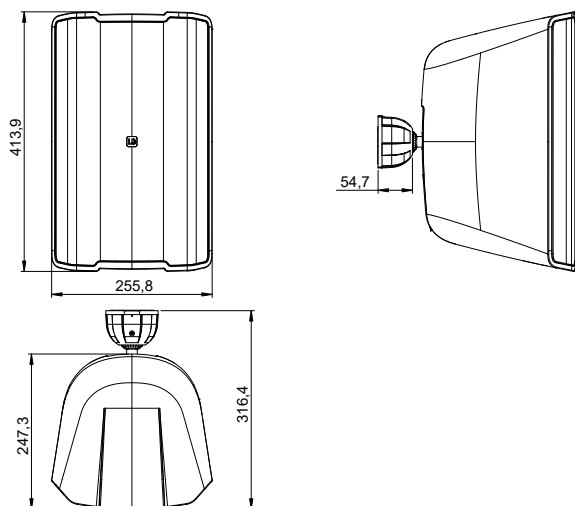
DQQR3 (B/W) - 2-way speaker system with 3" woofer and 1" titanium tweeter with FerroFluid™ cooling.
30W power rating 8 Ohm impedance

DQQR5 (B/W) - 2-way speaker system with 5.25" deep woofer and 1" titanium tweeter with FerroFluid™ cooling.
70W power rating 8 Ohm impedance

DQQR8 (B/W) - 2-way speaker system with 8" woofer and 1" titanium tweeter with FerroFluid™ cooling.
120W power rating 8 Ohm impedance

PACKAGING CONTENT

- DQOR3 (B/W) and DQOR5 (B/W) - 1 pair of speakers / DQOR8 (B/W) - 1 speaker
- Hex key for the safety screw of the wall bracket
- User manual

MEASUREMENTS (MM)**DQOR3 / DQOR3T****DQOR5 / DQOR5T****DQOR8 / DQOR8T**

WALL MOUNTING PLATE

There are 4 holes in the round wall mounting plate for securing it to a wall. Please note that countersunk screws are required to secure the plate and ensure that their flat heads are flush with the plate (screws are not included in the packaging content). The wall mounting plate is equipped with a 4-pole terminal block, sliding contacts and two openings for speaker cables.



1 TERMINAL BLOCK

4-pole terminal block with spring clamping for connecting a speaker cable with an up to 2.5 mm² cross-section and for sending the amplifier signal to another speaker connected in parallel. Please note the markings directly over the contacts for the correct polarity. Open the terminal contacts of the terminal block by sliding a small screwdriver with a flat head into the small opening above the respective contact. Now insert the stripped speaker cable into the terminal contact and pull the screwdriver out of the opening once again to close the terminal contact.

2 CENTRAL CABLE BUSHING

Central cable bushing for speaker cables installed in a wall. Carefully pull the cable coming from the wall through the 2mm drill hole present in the rubber sealing. The drill hole in the rubber seal is stretched as a result and therefore surrounds the cable.

When mounting outdoors: If the rubber sealing is torn when mounting, seal the tears and open points in the rubber sealing using silicone sealant.

3 SLIDING CONTACTS

When the speaker is correctly connected to the wall mounting plate, the speaker signal coming from the amplifier is transmitted via the sliding contacts to the speaker.

4 LOWER CABLE BUSHING

Lower cable bushing for speaker cables installed on a wall. In order to release the cable bushing, the sealing cap made of plastic must be removed prior to attaching the wall mounting plate to a wall.

When mounting outdoors: Seal open points between cable and cable bushing after installation using silicone sealant.



WALL MOUNTING

The speaker has a wall bracket with a practical lock mechanism. Thanks to the integrated connector panel, the speaker can also be used in visually demanding environments without visible cables. The 27° tilt and 45° swivel mechanism enables exact positioning for precise sound coverage.



Important safety information: Overhead mounting requires experience, including the calculation of the limits for the workload, the installation material used and regular safety tests of all installation materials and speakers. If you are not qualified, do not try to perform the installation yourself, but use a professional company!

1 Prior to installing the speaker, remove the wall mounting plate from the wall bracket.

To do this, loosen the safety screw **A** in the dome-shaped union nut using the hex key included, turn the union nut counterclockwise from the wall bracket and pull the wall mounting plate **B** downwards from the wall bracket.

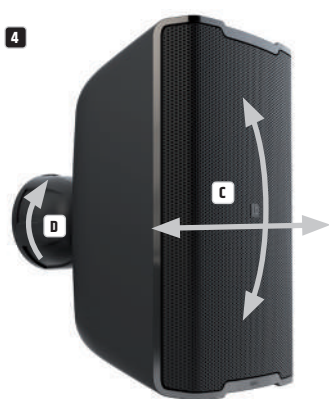




2 Firmly secure the wall mounting plate with the terminal block at the top using suitable screws on a wall sufficiently capable of supporting the load. For speaker cables laid under plaster, the corresponding cable must be inserted through the central cable bushing prior to securing the wall mounting plate. Now connect the speaker cables to the corresponding contacts of the terminal block.

3 Slide the speaker with the wall bracket from above onto the wall mounting plate in such a way that the contacts on the speaker slide into the guide grooves of the sliding contacts of the wall mounting plate and the retaining hook engage into the corresponding recess.

4 Using the ball joint in the wall bracket, the speaker can be turned to the vertical or the horizontal position (turning in both directions by maximum 180°). Then tilt and swivel the speaker into the desired beam direction **C**. Now fix the speaker by screwing the dome-shaped union nut **D** clockwise tightly onto the associated thread until the marking on the union nut matches either the marking on the retaining hook **E** or the marking on the wall mounting plate **F** to ensure that the safety screw can also engage into one of the two through-holes in the collet.



5 Secure the ball joint and the dome-shaped union nut from moving by tightening the safety screw in the union nut clockwise using the hex key that is included **G**. When you do this, make sure that the screw is fully countersunk.



MODELS WITH TRANSFORMER

The 3-position switch for the operating mode and the switch for the transformer taps are below the wall bracket in a control section behind a water-tight rubber covering in the models DQOR 3T(B/W), DQOR 5T(B/W) and DQOR 8T(B/W) **A**. Lift the rubber covering in order to carry out the desired settings and seal the control compartment carefully again afterwards.



1 OPERATING MODE 16 Ω / 70V / 100V

3-position switch to adjust the installation speaker for 70V or 100V installation amplifiers or amplifiers with low-impedance output (16 Ohm). Move the switch to the corresponding position prior to connecting to the amplifier.

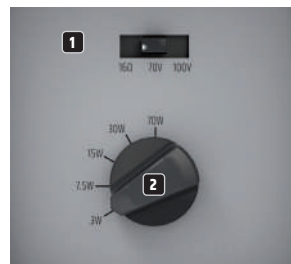
2 TRANSFORMER TAPS

Switch for selecting the desired transformer tap (as an example model DQOR5TW).

DQOR 3T(B/W): 30W - 6W - 3W - 1.5W

DQOR 5T(B/W): 70W - 30W - 15W - 7.5W - 3W

DQOR 8T(B/W): 120W - 70W - 30W - 15W - 7.5W - 3W



OPTIONAL ACCESSORY

Rubber coverings for the speaker connection and the wall mounting plate are optionally available (2 sets included).

Item number: LDDQORWMC



TECHNICAL DATA

Item number:	LDDQOR3(B/W)	LDDQOR3T(B/W)
Product type	Installation speaker	
Type	Passive	
Woofer size	3", 76.2 mm	
Woofer magnet	Ferrite	
Woofer brand	Custom Made	
Woofer voice coil	1", 25.4 mm	
Horn	BEM-optimized CD waveguide	
HF driver size	1", 25.4 mm	
HF driver magnet	Neodymium	
HF driver brand	Custom Made	
HF driver voice coil	1", 25.4 mm	
Beam angle (H x V)	120° x 80° (-6 dB)	
Power rating (RMS)	30 W	
Power rating (peak)	60 W (>200Hz)	
Frequency response	85 - 20000 Hz (-10dB)	
Crossover frequency	2200 Hz	
SPL (1 W/1 m)	80 dB	
Max. SPL	98 dB	
Impedance	8 Ohm	16 Ohm
Input select switch	-	70 V - 100 V - 16 Ohm
100V transformer power taps	-	30 - 6 - 3 - 1.5W
70V transformer power taps	-	30 - 6 - 3 - 1.5W
Speaker input connections	4-pole terminal block. Pitch 5.08mm	
Housing material	ABS plastic	
IP protection class	65	
Housing color	White (RAL 9010) / black (RAL 9005)	
Width	114.6 mm	
Height	180 mm	
Depth	180.8 mm	
Included accessories	Bracket for surface mounting Allen key for the safety screw	
Optional accessory	LDDQORWMC (rubber covering set for wall bracket)	
Weight	1.4 kg	2.1 kg

Item number:	LDDQQR5(B/W)	LDDQQR5T(B/W)
Product type	Installation speaker	
Type	Passive	
Woofer size	5.25", 133 mm	
Woofer magnet	Ferrite	
Woofer brand	Custom Made	
Woofer voice coil	1", 25.4 mm	
Horn	BEM-optimized CD waveguide	
HF driver size	1", 25.4 mm	
HF driver magnet	Neodymium	
HF driver brand	Custom Made	
HF driver voice coil	1", 25.4 mm	
Beam angle (H x V)	120° x 80° (-6 dB)	
Power rating (RMS)	70 W	
Power rating (peak)	140 W (>200Hz)	
Frequency response	74 - 20000 Hz (-10dB)	
Crossover frequency	1900 Hz	
SPL (1 W/1 m)	84 dB	
Max. SPL	105 dB	
Impedance	8 Ohm	16 Ohm
Input select switch	-	70 V - 100 V - 16 Ohm
100V transformer power taps	-	70 - 30 - 15 - 7.5 - 3 W
70V transformer power taps	-	70 - 30 - 15 - 7.5 - 3 W
Speaker input connections	4-pole terminal block. Pitch 5.08mm	
Housing material	ABS plastic	
IP protection class	55	
Housing color	White (RAL 9010) / black (RAL 9005)	
Width	156.7 mm	
Height	253.8 mm	
Depth	215.3 mm	
Included accessories	Bracket for surface mounting Allen key for the safety screw	
Optional accessory	LDDQQRWMC (rubber covering set for wall bracket)	
Weight	2.7 kg	3.9 kg

Item number:	LDDQ0R8(B/W)	LDDQ0R8T(B/W)
Product type	Installation speaker	
Type	Passive	
Woofers size	8", 200 mm	
Woofers magnet	Ferrite	
Woofers brand	Custom Made	
Woofers voice coil	2", 50.8 mm	
Horn	BEM-optimized CD waveguide	
HF driver size	1", 25.4 mm	
HF driver magnet	Neodymium	
HF driver brand	Custom Made	
HF driver voice coil	1", 25.4 mm	
Beam angle (H x V)	120° x 80° (-6 dB)	
Power rating (RMS)	120 W	
Power rating (peak)	240 W (>200Hz)	
Frequency response	62 - 20000 Hz (-10dB)	
Crossover frequency	1800 Hz	
SPL (1 W/1 m)	88 dB	
Max. SPL	109 dB	
Impedance	8 Ohm	16 Ohm
Input select switch	-	70 V - 100 V - 16 Ohm
100V transformer power taps	-	120 - 70 - 30 - 15 - 7.5 - 3 W
70V transformer power taps	-	120 - 70 - 30 - 15 - 7.5 - 3 W
Speaker input connections	4-pole terminal block. Pitch 5.08mm	
Housing material	ABS plastic	
IP protection class	55	
Housing color	White (RAL 9010) / black (RAL 9005)	
Width	255.8 mm	
Height	413.9 mm	
Depth	316.4 mm	
Included accessories	Bracket for surface mounting Allen key for the safety screw	
Optional accessory	LDDQ0RWMC (rubber covering set for wall bracket)	
Weight	5.2 kg	7.2 kg

MANUFACTURER'S DECLARATIONS

MANUFACTURER'S WARRANTY & LIMITATIONS OF LIABILITY

You can find our current warranty conditions and limitations of liability at: https://cdn-shop.adamhall.com/media/pdf/MANUFACTURERS-DECLARATIONS_LD_SYSTEMS.pdf To request warranty service for a product, please contact Adam Hall GmbH, Adam-Hall-Str. 1, 61267 Neu Anspach / Email: Info@adamhall.com / +49 (0)6081 / 9419-0.



CORRECT DISPOSAL OF THIS PRODUCT

(valid in the European Union and other European countries with a differentiated waste collection system)

— This symbol on the product, or on its documents indicates that the device may not be treated as household waste. This is to avoid environmental damage or personal injury due to uncontrolled waste disposal. Please dispose of this product separately from other waste and have it recycled to promote sustainable economic activity. Household users should contact either the retailer where they purchased this product, or their local government office, for details on where and how they can recycle this item in an environmentally friendly manner. Business users should contact their supplier and check the terms and conditions of the purchase contract. This product should not be mixed with other commercial waste for disposal.

FCC STATEMENT

- This device complies with Part 15 of the FCC Rules. Operation is subject to the following two conditions:
 - This device may not cause harmful interference, and
 - This device must accept any interference received, including interference that may cause undesired operation
- any Changes or modifications not expressly approved by the party responsible for compliance could void the user's authority to operate the equipment.

NOTE: This equipment has been tested and found to comply with the limits for a Class B digital device, pursuant to Part 15 of the FCC Rules. These limits are designed to provide reasonable protection against harmful interference in a residential installation.

This equipment generates uses and can radiate radio frequency energy and, if not installed and used in accordance with the instructions, may cause harmful interference to radio communications. However, there is no guarantee that interference will not occur in a particular installation. If this equipment does cause harmful interference to radio or television reception, which can be determined by turning the equipment off and on, the user is encouraged to try to correct the interference by one or more of the following measures:

Reorient or relocate the receiving antenna.

Increase the separation between the equipment and receiver.

Connect the equipment into an outlet on a circuit different from that to which the receiver is connected.

Consult the dealer or an experienced radio/TV technician for help.

FCC RADIATION EXPOSURE STATEMENT

This equipment complies with FCC radiation exposure limits set forth for an uncontrolled environment. This equipment should be installed and operated with minimum distance 20cm between the radiator & your body

CE COMPLIANCE

Adam Hall GmbH states that this product meets the following guidelines (where applicable):

R&TTE (1999/5/EC) or RED (2014/53/EU) from June 2017

Low voltage directive (2014/35/EU)

EMV directive (2014/30/EU)

RoHS (2011/65/EU)

The complete declaration of conformity can be found at www.adamhall.com.

Furthermore, you may also direct your enquiry to info@adamhall.com.

EU DECLARATION OF CONFORMITY

Hereby, Adam Hall GmbH declares that this radio equipment type is in compliance with Directive 2014/53/EU.

The full text of the EU declaration of conformity is available at the following internet address: www.adamhall.com/compliance/

Printing errors and mistakes, as well as technical or other changes are reserved!

