



Compact Horn Loaded sub-bass, with high-excursion 15" woofer.

The L15 sub offers extremely high-output level and strong impact in a compact enclosure.

L15 main features

- Extremely Powerful (139 dB peak) sub tailored to match the P12 main speaker.
- Lightweight (35 kg / 77 lbs) design using custom made 15 mm bent plywood of Birch and Poplar.
- Rounded shape to prevent damage in the corners and optimize air flow.
- Low-frequency horn ensure maximum radiating surface and high efficiency.
- Comprehensive range of versatile, accessories for deploying the L15 in a wide variety of applications for both touring and fixed installation.

To match the extremely efficient P12 and still offering the same kind of power over weight ratio, NEXO has developed the L15, a very compact sub-woofer with extremely high output level.

Unique acoustic design

The L15 is built around a 15 mm custom made bent plywood shell, using poplar veneer for the inside layers and birch of the outside. The result is a plywood with exceptionally good sound quality, a very robust enclosure and a light weight.

The band-pass, Horn loaded tuning is done through two computer optimized shaped port guarantee of ultra-low distortion even at very high level.

Road-ready package

Three large comfortable handles on each side ensure easy manipulation of the L15 in any situation, particularly when used with its dedicated wheel-board and cover.

The back plate holds two Speakon® connectors that can be used for both multiple L15 daisy-chaining or to link a P12 speaker.

The strong front grill uses a very large hexa shaped design, mandatory not to restrict the air flow from the two larges tuned chambers.

A Beast of a driver

The 15" neodymium transducer with a 4" voice coil offers an enormous stiffness and a very high displacement capacity.

Together with the very unique cabinet design they produced a very tight sub-bass sound with a high impact.

Premium DSP Processing

Just like its companion main speaker P12, the L15 has been developed to precisely match the output power of the NXAMP4x2mk2.

The L15 takes also advantage of the new processing algorithm running on the NXAMPmk2 amplifiers. The *Advanced Dynamic Processing* optimizes the match between the L15 maximum excursion with the NXAMPmk2 output voltage capacity. The result is a highly dynamic sound while preventing to trigger the thermal limit of the driver.

Two different crossovers frequency (85 and 120 Hz) using the same phase response that all other NEXO speaker will ensure a instant phase match with the P12 without hassle , or with any other sub for example.

A dedicated minimum latency setup is also available, compatible with the minimum latency monitor setups of the P12. The result is a very efficient drum-fill system, both cabinet sharing the same width.



A P12 stacked on top of a L15 offers and extremely compact yet efficient drum fill.

NEXO is one of the world's leading sound reinforcement loudspeaker manufacturers. Founded in 1979, the company is dedicated to crafting practical solutions with solid engineering. Each new design begins with a proprietary sophisticated computer simulation process that allows every parameter to be extensively modeled and simulated, leading to breakthrough cost and performance gains. NEXO's comprehensive product line includes loudspeakers, analogue and digital control electronics and amplification; all designed to deliver consistent sound quality and long term reliability for a broad range of applications.

L15 WITH NEXO PROCESSING

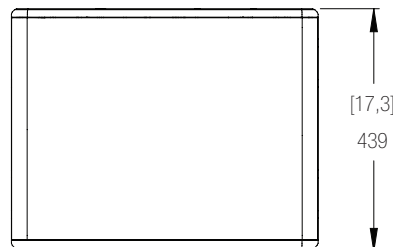
Frequency Response @-6 dB	40 Hz to 120 Hz
Peak SPL@1m	139 dB Peak
Operating Voltage	55 Vrms (150 Vpeak)
Crossover Frequency	85 Hz or 120 Hz
Nominal Impedance	4 Ω

PRODUCT FEATURES

Components	1 x Neodymium 15" 4 Ohms long excursion
Connectors	2 x NL4, 4 poles connectors.
Rigging points	1 x universal accessory fit on each side + 1 x M20 thread for Pole Stand on top
Material	Custom made bent plywood of baltic birch and poplar
Finish	Black or White structural paint
Front Finish	Steel front grille
Height x Width x Depth	439mm x 550mm x 650 mm (17.3" x 21.7" x 25.6")
Weight: Net	35 kg (77 lbs)
Operating temperature range	0°C - 40 °C (32° F - 104° F)
Storage temperature range	-20 °C - 60 °C (-4 ° F - 140° F)

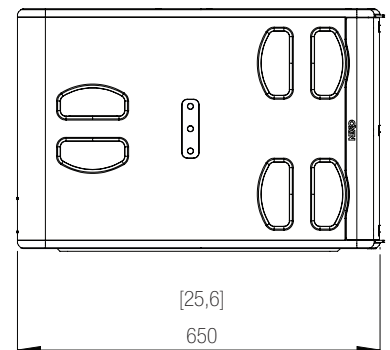
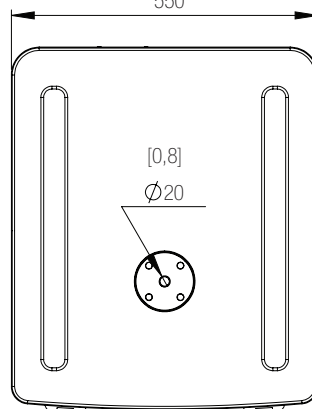
SYSTEM OPERATION

Recommended powering solution	NXAMP4x2mk2 Powered TDcontroller: up to 2 x L15 per channel
	DTD + DTDAMP4x1.3: 1 x L15 per channel
Optional powering solution	NXAMP4x1mk2 Powered TDcontroller: 1 x L15 per channel
	NXAMP4x4mk2 Powered TDcontroller: up to 2 x L15 per channel



[21,7]

550



NEXO S.A.
 Parc d'Activité
 du Pré de la Dame Jeanne
 B.P. 5
 60128 PLAILLY
 Tel: +33 (0) 3 44 99 00 70
 Fax: +33 (0) 3 44 99 00 30
 e-mail: info@nexo.fr

LIMITED WARRANTY

NEXO loudspeakers and electronics are covered against defects in workmanship or materials for a period of five (5) years from the original date of purchase. At the option of NEXO the defective item will be repaired/replaced with no charge for materials/labour. The item is to be adequately packaged and dispatched, pre-paid, to a NEXO authorised distributor/service centre. Unauthorised repair shall void the warranty. The NEXO warranty does not cover cosmetics or finish and does not apply to any items which in NEXO's opinion have failed due to used abuse, accidents, modifications or any type of misuse. All images and text herein are the property of NEXO SA, and deemed accurate, although specifications are subject to change without notice.