

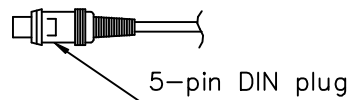
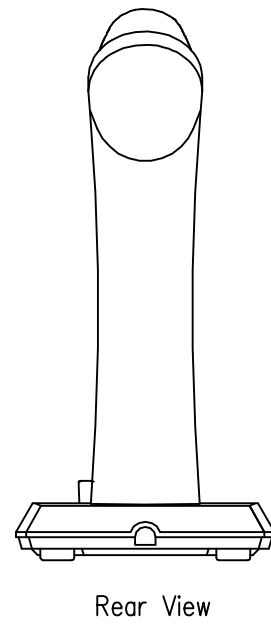
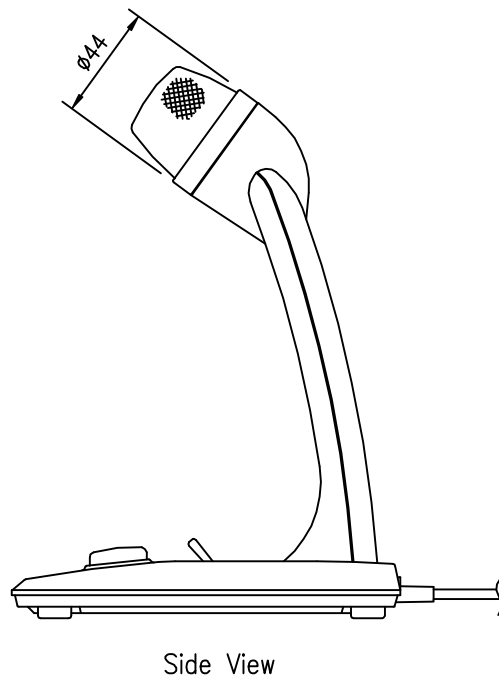
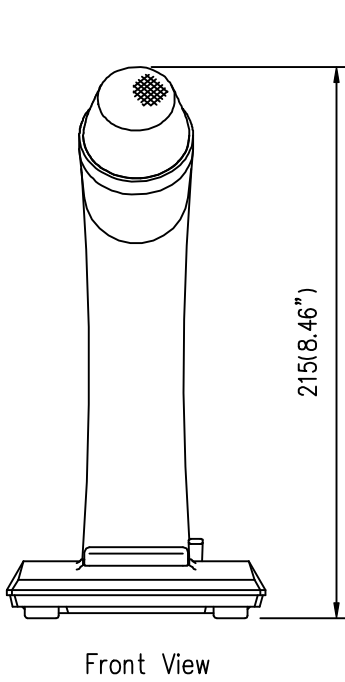
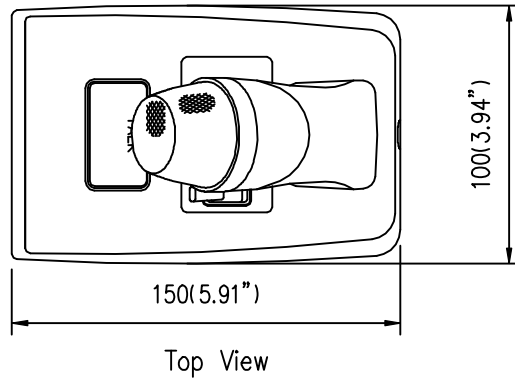
DESCRIPTION

Designed for paging calls and general announcements, the PM-660D desk-top microphone comes with a large talk switch and a lock lever for easy and convenient operation. Its robust anti-vibration construction and balanced output render the microphone resistant to noise. In addition, the PM-660U microphone is equipped with a remote control switch (interlocked with the talk switch) for amplifier power on/off operation or chime activation.

SPECIFICATIONS

Type	Dynamic (moving coil)
Polar Pattern	Cardioid
Rated Impedance	600 Ω, Balanced
Output Level	-58 dB (1 kHz, 0 dB=1 V/Pa)
Frequency Response	100 Hz~10,000 Hz
Output	∅5.0, 4-conductor (2-shielded) cable (2.5 m or 98.43") with 5-pin DIN plug
Switch	1-push-to-talk switch, 1-locking lever, Short-off type
Remote Control	Less than 500 mA at 30 V DC
Finish	Microphone head : Zinc plated steel wire, Baked paint, Gray Main unit : ABS resin, Gray
Dimensions(W×H×D)	100 (3.94")×215 (8.46")×150 (5.91") mm
Weight	440 g (0.97 lb.) (cord excluded)

APPEARANCE



UNIT:mm SCALE:1/3