



Electro-Voice

NEXT-GENERATION EVID CEILING SPEAKERS

SUPERIOR CEILING SOUND, SIMPLIFIED



EVID-C **G2**



EVID-EC

- The next generation of the successful EVID-C ceiling speaker series now features two families with 12 new models.
- Seven EVID-C-G2 standard Ceiling versions and five EVID-EC Entry Ceiling versions.
- Providing mix-and-match price/performance options tailored to precisely address the audio requirements of each area in an installation.
- Clean, bezel-less design with easy-attach magnetic grille.

SIMPLE, FAST AND SAFE INSTALLATION

The EVID-C-G2 models feature a new SwiftLock mounting mechanism. It supports quick, precise and secure attachment to the ceiling with a simple push-and-lock mechanism for hassle-free installation or replacement.



DESIGNED WITH THE INTEGRATOR IN MIND

Both families feature an easy-access front-baffle wattage tap, side-access terminal blocks, and easy-to-attach magnetic grilles – making adjustment and connection simpler than ever.

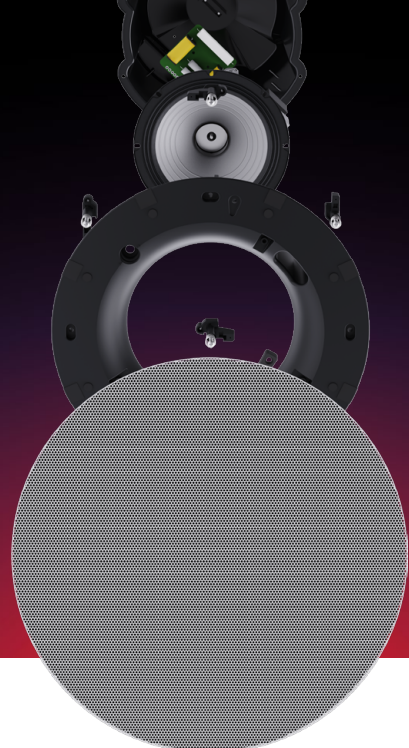


SUPERIOR AUDIO WITH STREAMLINED AESTHETICS

All models feature a clean, bezel-less design with an easy-attach magnetic grille for a sleek appearance and simple installation. Shallow profiles allow the speakers to fit into tighter spaces, with no compromises in sound quality.

Despite their discreet form factor, these ceiling speakers deliver superior, full-range audio with excellent pattern control, ensuring superior audio performance with exceptional intelligibility.

Both series feature standardized 7", 11", and 13" diameter sizes, making them installer- and integrator-friendly. This design not only simplifies planning and installation, but also makes retrofitting older models straightforward, reducing time and labor costs. By offering three diameter size options, the series ensures a uniform, professional appearance across multi-model installations.



EVID-C-G2

SPECIFICATIONS	EVID-C4.2-G2	EVID-C4.2LP-G2	EVID-C6.2-G2	EVID-C6.2LP-G2	EVID-C8.2-G2	EVID-C8.2HC-G2	EVID-C8.1S-G2
Sensitivity	88dB	88dB	90dB	90dB	90dB	95dB	90dB
Frequency Response	70Hz -20kHz	80Hz -20kHz	65Hz -20kHz	60Hz -20kHz	60Hz -20kHz	60Hz -20kHz	45Hz -380kHz
Max Power 8Ω (Cont/Peak)	70W / 280W	70W / 280W	80W / 320W	80W / 320W	90W / 360W	180W / 270W	180W / 270W
Transformer	30W	30W	30W	30W	60W	90W	30W
Min. Transformer Tap	3.75W	3.75W	3.75W	3.75W	7.5W	11.25W	7.5W
Coverage Pattern	130°	130°	110°	110°	90°	75°	N/A
Diameter Size	Small	Medium	Medium	Large	Medium	Large	Large
Mounting Depth	6.2" (158mm)	3.4" (86mm)	5.9" (149mm)	4.8" (122mm)	9.6" (244mm)	9.5" (240mm)	9.5" (240mm)

EVID-EC

SPECIFICATIONS	EVID-EC3.1	EVID-EC4.2	EVID-EC6.2	EVID-EC6.2E	EVID-EC8.2
Sensitivity	84dB	89dB	92dB	92dB	92dB
Frequency Response	90Hz-19kHz	80Hz-20kHz	80Hz-20kHz	85Hz-20kHz	75Hz-20kHz
Max Power (Cont/Peak)	40W / 160W	50W / 200W	60W / 240W	30W / 120W	70W / 280W
Transformer	15W	20W	30W	30W	30W
Min. Transformer Tap	1.88W	2.5W	3.75W	3.75W	3.75W
Coverage Pattern	135°	130°	110°	110°	90°
Diameter Size	Small	Small	Medium	Medium	Medium
Mounting Depth	3.7" (93mm)	6.2" (158mm)	5.9" (149mm)	5.9" (149mm)	7.6" (194mm)

ACCESSORIES

CTN	Short Description	Compatible Models	Packaging Quantity
C-RG-S-BK	Round, magnetic grille, small, black	EVID-C4.2-G2, EVID-EC3.1, EVID-EC4.2	6
C-RG-M-BK	Round, magnetic grille, medium, black	EVID-C4.2LP-G2, EVID-C6.2-G2, EVID-C8.2-G2, EVID-EC6.2, EVID-EC8.2	6
C-RG-L-BK	Round, magnetic grille, large, black	EVID-C6.2LP-G2, EVID-C8.2HC-G2, EVID-C8.1S-G2	6
C-SQ-M-WH	Square, magnetic grille, medium, white	EVID-C4.2LP-G2, EVID-C6.2-G2, EVID-C8.2-G2, EVID-EC6.2, EVID-EC8.2	6
C-EV-LOGO	EV logos for ceiling speakers, 24pcs	All EVID-C-G2 and EVID-EC models	24



Learn more at [electrovoice.com](https://www.electrovoice.com)

Information in this document is preliminary and subject to change without notice. All trademarks are the copyrights of their respective owners. ©2025 Bosch Security Systems, LLC