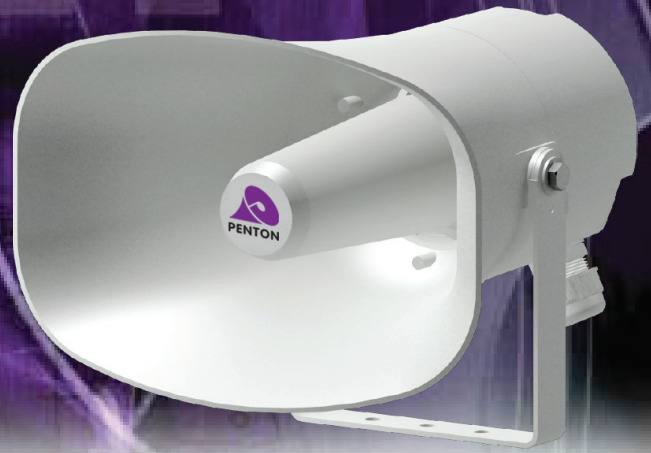


# WEATHERPROOF NETWORK HORN SPEAKERS (POE)

## › APH30-IP IP HORN SPEAKER



### TECHNICAL SPECIFICATIONS

#### ELECTRICAL

Rated power, watts (24 VDC, 1.8A external power supply)	30
Rated power, watts (POE+, IEEE802.3 af, class 3)	20
Driver impedance, ohms	8
Effective frequency range, Hz	260 ~ 16,000
S.P.L. @ 1m, 1 watt, dB, test signal bandwidth 100Hz ~ 10kHz	108
S.P.L. @ 1m, full power, test signal bandwidth 100Hz ~ 10kHz	122
Dispersion at 1k/2kHz, degrees	105/49 horizontal, 142/68 vertical

#### ENVIRONMENTAL

IP rating	66
Ambient temperature	25°C ~ 70°C (77 °F ~ 158 °F)
Relative humidity	≤ 95 %

#### MECHANICAL

Dimension, W x H x D mm	258 x 180 x 280
Net weight, kgs (lbs)	2.53 (5.6)
Colour (unless specified)	RAL 7035
Material	Low smoke zero halogen UL-94V0 plastic with UV inhibitors
Mounting	Stainless steel U bracket, and hardware

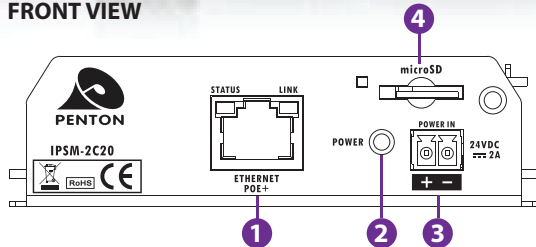
#### FEATURES

- Support PoE+ and PoE power
- Standard RJ45 interface, PCB control and Class-D amp board (2 x 20w)
- Cost effective and simple installation with single cable deployment
- Easily configured, controlled, managed, and monitored via web browser
- Full DSP includes Ducker, AGC, PEQ, Hi/Low Pass, Compressor, Limiter, etc.
- IP based for music streaming, routing, paging and control over LAN/WAN
- VoIP call via SIP protocol
- Supports audio codecs G.711u, G.711a, G.722, PCM16K and MP3
- 3 control inputs, 1 contact output
- Internal storage (200mb) plus microSD card of up to 512GB available for message or music storage
- Integrated scheduler for triggering of messages, music and alerts.

# WEATHERPROOF NETWORK HORN SPEAKERS (POE)

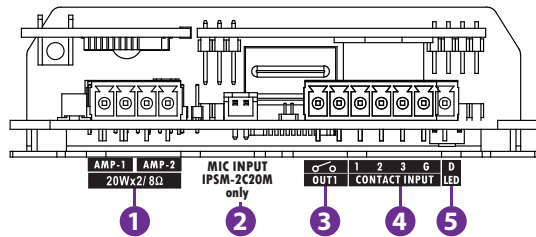
## > APH30-IP IP HORN SPEAKER

### FRONT VIEW

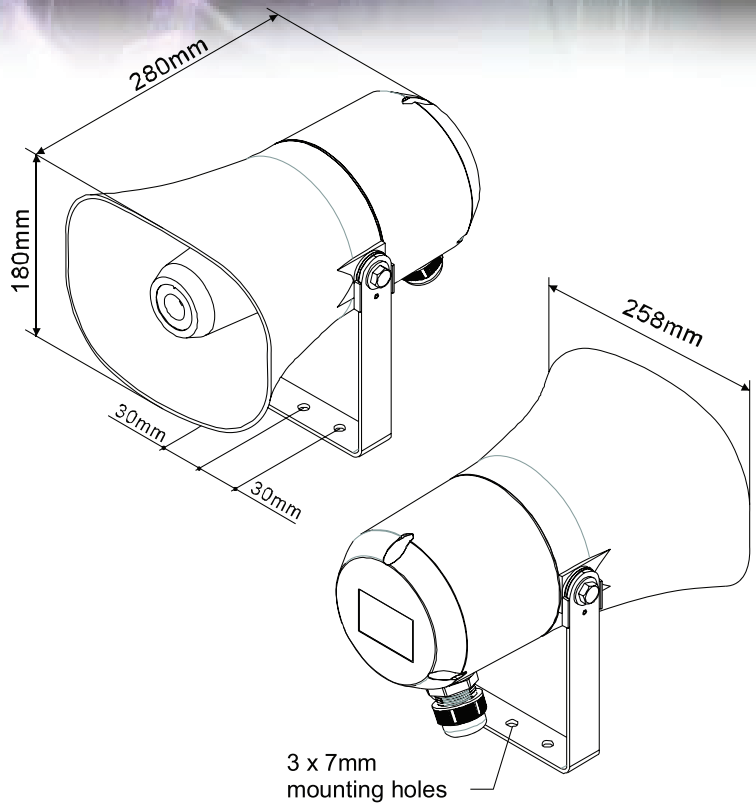


- 1 Ethernet port with PoE+ (25W) power
- 2 Power LED indicator
- 3 Optional external power input (24 ~ 27 VDC), PSU65-27 (65W) and PTR-2415 (36W) recommend
- 4 Micro SD Card interface

### REAR VIEW



- 1 20W x 2 Channels amp output (8 ohm load speaker) or bridged 40W x 1 Channel amp output (4 ohm load speaker)
- 2 Optional mic input with model APH30-IPM. Recommended optional microphone capsule model YMCO101-005
- 3 1 relay contact output can be programmed to control an external device
- 4 3 programmable contact inputs are controlled by external remotes such as source selector and volume control
- 5 LED interface (3.3V@10 mA): for safety and emergency alerting



### DISPERSION ANGLES

		HORIZONTAL	VERTICAL
1 OCT.PINK NOISE	500 Hz	203°	360°
1 OCT.PINK NOISE	1K Hz	105°	142°
1 OCT.PINK NOISE	2K Hz	49°	68°
1 OCT.PINK NOISE	4K Hz	37°	40°

### FREQUENCY RESPONSE

