

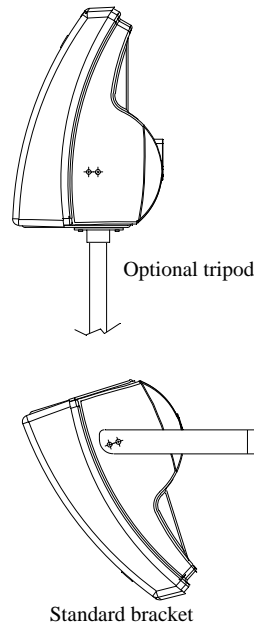
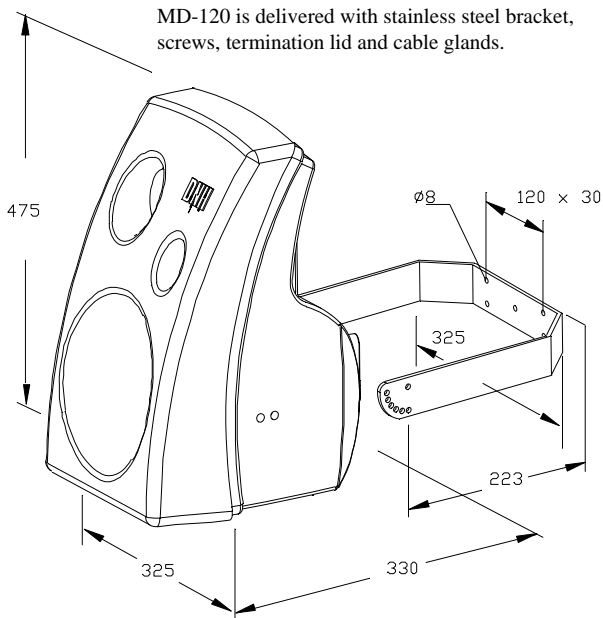


DNH

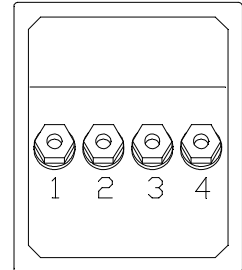
MD-120(T)

Commercial Audio Solutions Ltd
 The Old Barn, Whitecroft Farm
 Strines, Derbyshire. SK22 3AH.
 Tel: 01663 767888
www.commercialaudiosolutions.com

ISO 9001 CERTIFIED



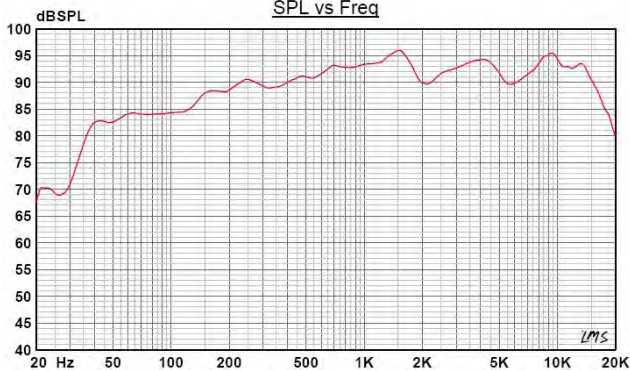
MD-120 is available with transformer on request:



Primary tapings	
1 / 2	120 W
1 / 3	60 W
1 / 4	30 W

Sound pressure levels at 1W/1m

SPL vs Freq



Specifications

Material / Color	PE / Black
Mounting	Bracket
Termination	Screw terminal
Weight w/transformer	6,0 kg
IP-rating	44*
Max. / min. amb. temp	90°C / -40°C
Rated / max. power	120 W / 150 W
SPL 1W/1m	91 dB
SPL rated power	112 dB
Effective freq. range	35 – 20000 Hz
Dispersion (-6dB) 1kHz	85° / 60° vertical
Options	Impedances, colors, labels

Installation, Operation and Maintenance Procedures

- MD-120 is available with 120W transformer and delivered with bracket.
 - Fasten bracket to wall or ceiling with 2-4 screws and fasten MD-120 using 4 screws to wanted position.
 - Unscrew lid (4 screws), lead cable through cable gland and connect to terminal.
 - Screw on lid with enclosed gasket and tighten cable glands to assure a good sealing towards cable.
 - For optimum performance, always use the correct voltage / power and operate within the frequency limits as stated.
 - Do not open loudspeaker when energized.
 - This loudspeaker is supplied with a two years warranty against defective workmanship.
- * To achieve IP 44 the loudspeaker should be mounted with the grill at least 30 degrees downwards.

DNH reserves the right to alter specifications without notice

